



QUAD® Q55 SHREDDER

SSI's Quad® Q55 is a low-speed, high-torque, four-shaft, rotary shear shredder designed to produce small, consistent particle size.

Q55 QUAD® SHREDDERS PROCESS MATERIALS INCLUDING:

- Mixed Waste
- Plastics (brittle)
- Medical Waste
- Paper / Cardboard
- Pharmaceuticals
- Rubber
- Auto Shredder Residue
- Organic Waste
- Product Destruction
- Electronic Scrap, Circuit Boards, Hard Drives
- Light Gauge Metals
- Fibers/Textiles/Foam
- and more...

ELECTRIC OR HYDRAULIC DRIVE

Hydraulic Drive When Processing:

- Mixed or unsorted materials
- Materials requiring enhanced particle size or throughput control
- Batch fed materials
- Materials containing non-shreddables

Electric Drive When Processing:

- Sorted, uniform materials
- Conveyor fed or metered materials
- Materials containing limited non-shreddables



SSI ADVANTAGES

HIGH-TORQUE, LOW-SPEED DESIGN

Delivers multipurpose shredding with greater on-line reliability and lower maintenance requirements than other technologies.

PATENTED ACLS - ADVANCED CUTTER LOCKING SYSTEM™

Eliminates daily requirement to tighten cutter stack while improving shredder performance and cutter life.

SHOCK LOAD PROTECTION FEATURE

Protects shredder and drive components. Electric version offers patented SSP - Severe Shock Protection™ controlled torque coupling. Hydraulic version utilizes multiple relief valves.

AUTO REVERSAL FEATURE

Protects against overfeeding and damage by non-shreddables.

CONVERTIBLE DRIVE

Versatile design accommodates electric or hydraulic drive. Optional conversion package available.

PROPRIETARY BEARING PROTECTION

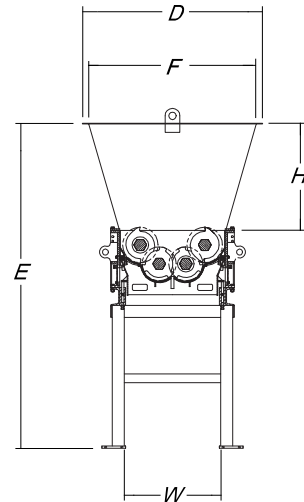
Isolates bearings from cutting chamber contamination and protects against bearing failure.

DIRECT DRIVE MOTOR

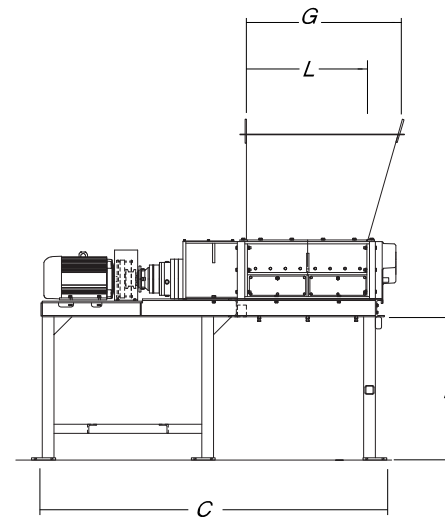
Provides improved efficiency and reliability. Alternate speed and torque combinations available.



STANDARD CUTTING CHAMBER (W X L): **914 x 787 mm (36 x 31 in)**
 Optional lengths available: 1,016 mm (40 in)



SHREDDER MODEL NO.	Q55ED (31)	Q55HD (31)
Drive	Electric	Hydraulic
Number of Electric Motors	Two	Two (HPU)
Horsepower	37 - 45 kW (50 - 60 hp)	37 - 45 kW (50 - 60 hp)
Voltage	460/3/60	460/3/60
Voltage Options	Many - Consult Factory	Many - Consult Factory
Autochop Feature	N/A	Included
Shock Load Protection	Yes (SSP™)	Yes (Multiple Relief)
Cutter Thickness (nominal)	38 mm (1.5 in)	38 mm (1.5 in)
Cutter Diameter	290 mm (11.4 in)	290 mm (11.4 in)
Cutter Material	HW5	HW5
Shaft Diameter	105 mm (4.1 in)	105 mm (4.1 in)
Cutting Chamber (WxL)*	914 x 787 mm (36 x 31 in)	914 x 787 mm (36 x 31 in)
Machine Length (C)*	3,145 mm (124 in)	2,311 mm (91 in)
Machine Width (D)	1,555 mm (61 in)	1,181 mm (47 in)
Machine Height (E)	2,551 mm (100 in)	2,551 mm (100 in)
Machine Weight	4,174 kg (9,200 lbs)	4,536 kg (10,000 lbs)
Hopper Opening (FxG)*	1,055 x 1,290 mm (42 x 51 in)	1,055 x 1,290 mm (42 x 51 in)
Hopper Height (H)	915 mm (36 in)	915 mm (36 in)
Stand Height (I)	1,220 mm (48 in)	1,220 mm (48 in)
HPU Configuration	N/A	Open Loop
HPU Dimensions	N/A	2.2 x 2.3 x 2.3 m (7.4 x 7.2 x 7.4 ft)
HPU Weight	N/A	3,267 kg (7,200 lbs)



SSI offers a full range of energy-efficient electric and hydraulic shredders as well as custom units to meet all processing requirements.

STANDARD CUTTER PROFILES



Electrical controls including motor starters, PLC, and operator interface are supplied in NEMA 4 enclosures.

* Dimensions apply to the Q55 with standard 787 mm (31 in) cutting chamber length. Secondary optional length available at 1,016 mm (40 in).

Note: Illustrations, specifications and descriptions presented reflect standard product at time of publication and are subject to change without notice. Dimensions are approximate. Photographs may include optional equipment and accessories. SSI offers compactors, balers, granulators, conveyors and classifiers as well as specialized motors, stands, hoppers, and mobile configurations. Consult factory to discuss your processing needs.