



DUAL-SHEAR® M140D SHREDDER

SSI's Dual-Shear® M140D is a low-speed, high-torque, two-shaft, rotary shear shredder designed to efficiently process a variety of difficult materials.

M140D DUAL-SHEAR® SHREDDERS PROCESS MATERIALS INCLUDING:

- Mixed Waste
- Passenger & Truck Tires
- Steel Drums
- Plastics (Purgings & Film)
- Wood / Pallets
- Fibers / Textiles / Foam
- Demolition Waste
- Baled & Bulky Materials
- Paper / Cardboard
- Appliances
- Metals
- and more...

ELECTRIC OR HYDRAULIC DRIVE

Hydraulic Drive When Processing:

- Mixed, unsorted materials
- Batch fed materials
- Materials requiring enhanced particle size or throughput control
- Installations requiring optional reduced voltage starting
- Materials containing non-shreddables

Electric Drive When Processing:

- Sorted, uniform materials
- Conveyor fed or metered materials
- Materials containing limited non-shreddables



SSI ADVANTAGES

HIGH-TORQUE, LOW-SPEED DESIGN

Delivers multipurpose shredding with greater on-line reliability and lower maintenance requirements than other technologies.

PATENTED ACLS - ADVANCED CUTTER LOCKING SYSTEM™

Eliminates daily requirement to tighten cutter stack while improving shredder performance and cutter life.

SHOCK LOAD PROTECTION FEATURE

Protects shredder and drive components. Electric version offers patented SSP - Severe Shock Protection™ controlled torque coupling. Hydraulic version utilizes multiple relief valves.

AUTO REVERSAL FEATURE

Protects against overfeeding and damage by non-shreddables.

CONVERTIBLE DRIVE

Versatile design accommodates electric or hydraulic drive. Optional conversion package available.

PROPRIETARY BEARING PROTECTION

Isolates bearings from cutting chamber contamination and protects against bearing failure.

DIRECT DRIVE MOTOR

Provides improved efficiency and reliability. Alternate speed and torque combinations available.

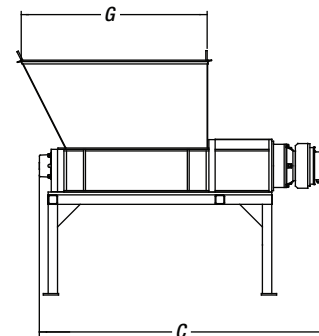
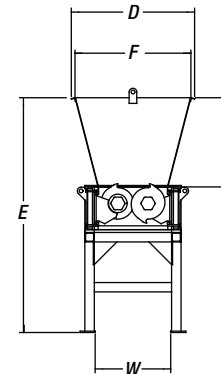
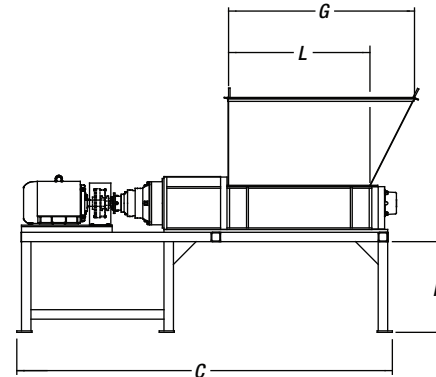


STANDARD CUTTING CHAMBER (W X L)

Optional length

52" X 75" (1,320mm X 1,905mm)

100" (2,540mm)



| SHREDDER MODEL NO. | M140-ED | M140-HD |
|----------------------------|-------------------------------|-------------------------------------|
| Drive | Dual Electric | Dual Hydraulic |
| Number of Electric Motors | Two | Two (HPU) |
| Horsepower | 300 HP (225kW) | 300 HP (225kW) |
| Horsepower Range | 400 HP (298kW) | 400 HP (298kW) |
| Voltage | 460/3/60 | 460/3/60 |
| Voltage Options | Many - Consult Factory | Many - Consult Factory |
| Autochop Feature | N/A | Included |
| Shock Load Protection | Yes (SSP™) | Yes (Multiple Relief) |
| Cutter Thickness (nominal) | 2" (50mm) | 2" (50mm) |
| Cutter Diameter | 27.1" (690mm) | 27.1" (690mm) |
| Cutter Material | HW5 | HW5 |
| Shaft Diameter | 9" (229mm) | 9" (229mm) |
| Cutting Chamber (WxL)* | 52" x 75" (1,320mm x 1,905mm) | 52" x 75" (1,320mm x 1,905mm) |
| Machine Length (C)* | 230" (5,850mm) | 181" (4,600mm) |
| Machine Width (D) | 89" (2,275mm) | 89" (2,275mm) |
| Machine Height (E) | 164" (4,175mm) | 164" (4,175mm) |
| Machine Weight | 44,000 lbs (19,800 kg) | 44,000 lbs (19,800 kg) |
| Hopper Opening (FxG)* | 69" x 96" (1,755mm x 2,440mm) | 69" x 96" (1,755mm x 2,440mm) |
| Hopper Height (H) | 59" (1,500mm) | 59" (1,500mm) |
| Stand Height (I) | 60" (1,525mm) | 60" (1,525mm) |
| HPU Configuration | N/A | Open Loop |
| HPU Dimensions | N/A | 17' x 13' x 7.5' (5.2m x 4m x 2.3m) |
| HPU Weight | N/A | 12,000 lbs (5,443 kg) |

SSI offers a full range of energy-efficient electric and hydraulic shredders as well as custom units to meet all processing requirements.

STANDARD CUTTER PROFILES



Motor starting and protection devices are mounted in a single NEMA 4 enclosure. PLC and operator interface are mounted in a second NEMA 4 enclosure.

* Dimensions apply to the M140-5 with standard 75" (1,905mm) cutting chamber length. Secondary optional length available at 100" (2,540mm).

Note: Illustrations, specifications and descriptions presented reflect standard product at time of publication and are subject to change without notice. Dimensions are approximate. Photographs may include optional equipment and accessories. SSI offers compactors, balers, granulators, conveyors and classifiers as well as specialized motors, stands, hoppers, and mobile configurations. Consult factory to discuss your processing needs.