



## DUAL-SHEAR® M120 SHREDDER

SSI's Dual-Shear® M120 is a low-speed, high-torque, two-shaft, rotary shear shredder designed to efficiently process a variety of difficult materials.

### M120 DUAL-SHEAR® SHREDDERS PROCESS MATERIALS INCLUDING:

- Mixed Waste
- Passenger & Truck Tires
- Steel Drums
- Plastics (Purgings & Film)
- Wood / Pallets
- Fibers / Textiles / Foam
- Demolition Waste
- Baled & Bulky Materials
- Paper / Cardboard
- Organic Waste
- Metals / Appliances
- and more...

### ELECTRIC OR HYDRAULIC DRIVE

#### Hydraulic Drive When Processing:

- Mixed, unsorted materials
- Batch fed materials
- Materials requiring enhanced particle size or throughput control
- Installations requiring optional reduced voltage starting
- Materials containing non-shreddables

#### Electric Drive When Processing:

- Sorted, uniform materials
- Conveyor fed or metered materials
- Materials containing limited non-shreddables



## SSI ADVANTAGES

### HIGH-TORQUE, LOW-SPEED DESIGN

Delivers multipurpose shredding with greater on-line reliability and lower maintenance requirements than other technologies.

### PATENTED ACLS - ADVANCED CUTTER LOCKING SYSTEM™

Eliminates daily requirement to tighten cutter stack while improving shredder performance and cutter life.

### SHOCK LOAD PROTECTION FEATURE

Protects shredder and drive components. Electric version offers patented SSP - Severe Shock Protection™ controlled torque coupling. Hydraulic version utilizes multiple relief valves.

### AUTO REVERSAL FEATURE

Protects against overfeeding and damage by non-shreddables.

### CONVERTIBLE DRIVE

Versatile design accommodates electric or hydraulic drive. Optional conversion package available.

### PROPRIETARY BEARING PROTECTION

Isolates bearings from cutting chamber contamination and protects against bearing failure.

### DIRECT DRIVE MOTOR

Provides improved efficiency and reliability. Alternate speed and torque combinations available.

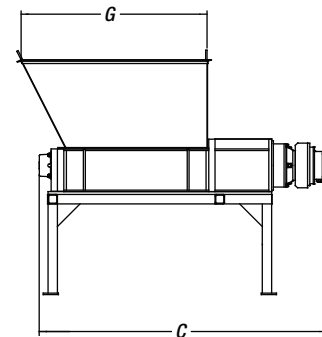
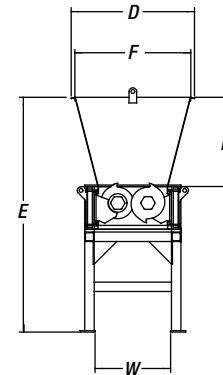
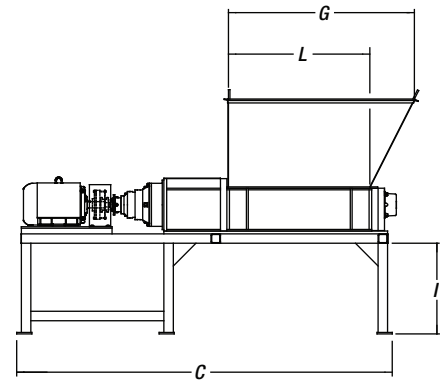


## STANDARD CUTTING CHAMBER (W X L)

Optional length

**46" X 63" (1,168mm X 1,605mm)**

52" (1,321mm), 75" (1,905mm)



SHREDDER MODEL NO.	M120E	M120H
Drive	Electric	Hydraulic
Number of Electric Motors	One	One (HPU)
Horsepower	200 HP (149kW)	200 HP (149kW)
Horsepower Range	150-300 HP (113-224 kW)	200-400 HP (149-300 kW)
Voltage	460/3/60	460/3/60
Voltage Options	Many - Consult Factory	Many - Consult Factory
Autochop Feature	N/A	Included
Shock Load Protection	Yes (SSP™)	Yes (Multiple Relief)
Cutter Thickness (nominal)	2" (50mm)	2" (50mm)
Cutter Diameter	24" (610mm)	24" (610mm)
Cutter Material	4140 HT	4140 HT
Shaft Diameter	7.9" (200mm)	7.9" (200mm)
Cutting Chamber (WxL)*	46" x 63" (1,168mm x 1,600mm)	46" x 63" (1,168mm x 1,600mm)
Machine Length (C)*	211" (5,359mm)	166" (4,216mm)
Machine Width (D)	72" (1,825mm)	72" (1,825mm)
Machine Height (E)	128" (3,251mm)	126" (3,200mm)
Machine Weight	35,000 lbs (15,800 kg)	30,000 lbs (13,500 kg)
Hopper Opening (FxG)*	65" x 75" (1,650mm x 1,905mm)	65" x 75" (1,650mm x 1,905mm)
Hopper Height (H)	49" (1250mm)	49" (1250mm)
Stand Height (I)	48" (1,225mm)	48" (1,225mm)
HPU Configuration	N/A	Open Loop
HPU Dimensions	N/A	89"x 100"x 85" (2.3mx 2.5mx 2.2m)
HPU Weight	N/A	TBD

SSI offers a full range of energy-efficient electric and hydraulic shredders as well as custom units to meet all processing requirements.

### STANDARD CUTTER PROFILES



Motor starting and protection devices are mounted in a single NEMA 4 enclosure. PLC and operator interface are mounted in a second NEMA 4 enclosure.

\* Dimensions apply to the M120 with standard 63" (1,600mm) cutting chamber length. Secondary optional lengths available at 75" (1,905mm) and 52" (1,321mm).

Note: Illustrations, specifications and descriptions presented reflect standard product at time of publication and are subject to change without notice. Dimensions are approximate. Photographs may include optional equipment and accessories. SSI offers compactors, balers, granulators, conveyors and classifiers as well as specialized motors, stands, hoppers, and mobile configurations. Consult factory to discuss your processing needs.