



DUAL-SHEAR® M45 SHREDDER

SSI's Dual-Shear® M45 is a low-speed, high-torque, two-shaft, rotary shear shredder designed to efficiently process a variety of difficult materials.

M45 DUAL-SHEAR® SHREDDERS PROCESS MATERIALS INCLUDING:

- Mixed Waste
- Wood
- Plastics
- Medical Waste
- Paper / Cardboard
- Document Destruction
- Pharmaceuticals
- Product Destruction
- Organic Waste
- Glass
- Light Electronic Scrap
- Light Gauge Metals
- and more...

M45 DUAL-SHEAR® SHREDDER FEATURES:

- Proprietary bearing & seal arrangements at shredder gearbox and endplate
- CNC machined shredder frame, torsion box design, modular construction
- Small footprint
- Low power requirements
- "Floating" cleaning fingers inside shredder minimize the possibility for material buildup.



SSI ADVANTAGES

HIGH-TORQUE, LOW-SPEED DESIGN

Delivers multipurpose shredding with greater on-line reliability and lower maintenance requirements than other technologies.

AUTO REVERSAL FEATURE

Protects against overfeeding and damage by non-shreddables.

PROPRIETARY BEARING PROTECTION

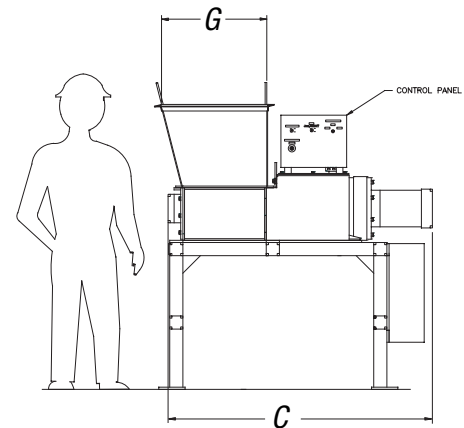
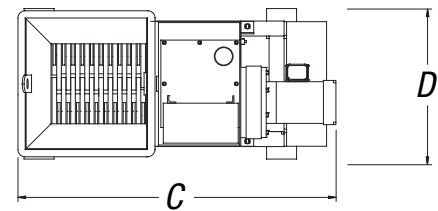
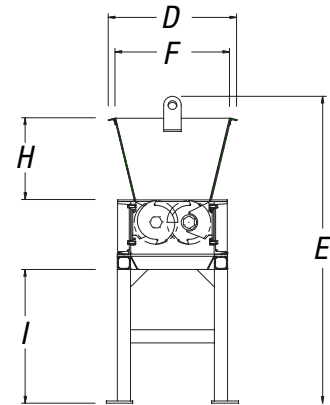
Isolates bearings from cutting chamber contamination and protects against bearing failure.

DIRECT DRIVE MOTOR

Provides improved efficiency and reliability. Alternate speed and torque combinations available.



STANDARD CUTTING CHAMBER (W X L): 485 MM X 485 MM (19 IN X 19 IN)
 Optional lengths available: N/A



SHREDDER MODEL NO.	M45E
Drive	Electric
Number of Electric Motors	One
Power	7.5 kW (10 HP)
Voltage	460/3/60
Voltage Options	Many - Consult Factory
Shock Load Protection	Amperage overload reversals
Cutter Thickness (nominal)	25 mm (1 in)
Cutter Diameter	254 mm (10 in)
Shaft Diameter	70 mm (2.8 in)
Cutting Chamber (WxL)*	485 mm x 485 mm (19 in x 19 in)
Machine Length (C)*	1,615 mm (64 in)
Machine Width (D)	745 mm (29 in)
Machine Height (E)	2,223 mm (87.5 in)
Machine Weight	800 kg (1,700 lbs)
Hopper Opening (FxG)*	660 mm x 660 mm (26 in x 26 in)
Hopper Height (H)	483 mm (19 in)
Stand Height (I)	1,219 mm (48 in)

Electrical controls including motor starters, PLC, and operator interface are supplied in NEMA 4 enclosures.

STANDARD CUTTER PROFILES



SSI offers a full range of energy-efficient electric and hydraulic shredders as well as custom units to meet all processing requirements.

Note: Illustrations, specifications and descriptions presented reflect standard product at time of publication and are subject to change without notice. Dimensions are approximate. Photographs may include optional equipment and accessories. SSI offers compactors, balers, granulators, conveyors and classifiers as well as specialized motors, stands, hoppers, and mobile configurations. Consult factory to discuss your processing needs.