



## DUAL-SHEAR® M50 SHREDDER

SSI's Dual-Shear® M50 is a low-speed, high-torque, two-shaft, rotary shear shredder designed to efficiently process a variety of difficult materials.

### M50 DUAL-SHEAR® SHREDDERS PROCESS MATERIALS INCLUDING:

- Mixed Waste
- Wood
- Plastics
- Medical Waste
- Paper / Cardboard
- Document Destruction
- Pharmaceuticals
- Product Destruction
- Organic Waste
- Glass
- Light Electronic Scrap
- Light Gauge Metals
- and more...

### M50 DUAL-SHEAR® SHREDDER FEATURES:

- Patented ACLS - Advanced Cutter Locking System™
- Proprietary bearing & seal arrangements at shredder gearbox and endplate
- CNC machined shredder frame, torsion box design, modular construction
- "Floating" cleaning fingers inside shredder minimize the possibility for material buildup.
- Small footprint
- Low power requirements



## SSI ADVANTAGES

### HIGH-TORQUE, LOW-SPEED DESIGN

Delivers multipurpose shredding with greater on-line reliability and lower maintenance requirements than other technologies.

### AUTO REVERSAL FEATURE

Protects against overfeeding and damage by non-shreddables.

### PROPRIETARY BEARING PROTECTION

Isolates bearings from cutting chamber contamination and protects against bearing failure.

### PATENTED ACLS - ADVANCED CUTTER LOCKING SYSTEM™

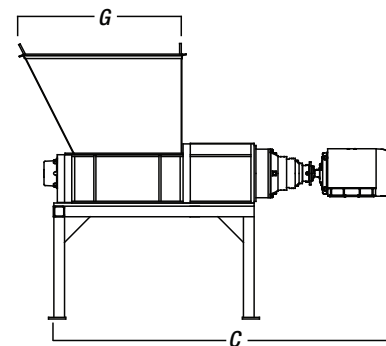
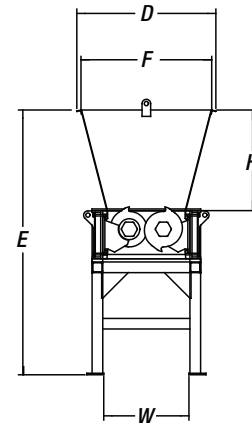
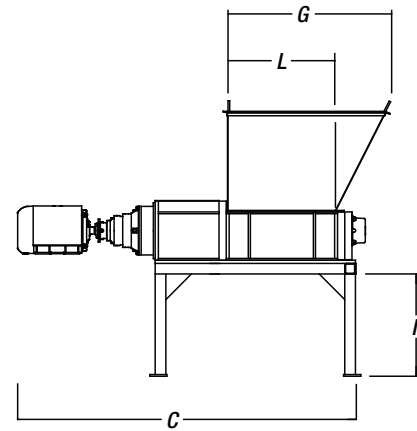
Eliminates daily requirement to tighten cutter stack while improving shredder performance and cutter life.

### DIRECT DRIVE MOTOR

Provides improved efficiency and reliability. Alternate speed and torque combinations available.



**STANDARD CUTTING CHAMBER (W X L):** 22" X 25" (580 MM X 635 MM)  
 Optional lengths available: N/A



SHREDDER MODEL NO.	M50E
Drive	Electric
Number of Electric Motors	One
Horsepower	25 HP (19 kW)
Voltage	460/3/60
Voltage Options	Many - Consult Factory
Shock Load Protection	Amperage overload reversals
Cutter Thickness (nominal)	1" (25 mm)
Cutter Diameter	11.4" (290 mm)
Shaft Diameter	4.1" (105 mm)
Cutting Chamber (WxL)*	22" x 25" (580 mm x 635 mm)
Machine Length (C)*	103" (2,616 mm)
Machine Width (D)	66" (1,676 mm)
Machine Height (E)	104" (2,642 mm)
Machine Weight	3,800 lbs (3,800 kg)
Hopper Opening (FxG)*	39" x 34 3/4" (1,000 mm x 882 mm)
Hopper Height (H)	36" (914 mm)
Stand Height (I)	49" (11,245 mm)

Electrical controls including motor starters, PLC, and operator interface are supplied in NEMA 4 enclosures.

## STANDARD CUTTER PROFILES



SSI offers a full range of energy-efficient electric and hydraulic shredders as well as custom units to meet all processing requirements.

Note: Illustrations, specifications and descriptions presented reflect standard product at time of publication and are subject to change without notice. Dimensions are approximate. Photographs may include optional equipment and accessories. SSI offers compactors, balers, granulators, conveyors and classifiers as well as specialized motors, stands, hoppers, and mobile configurations. Consult factory to discuss your processing needs.