



DUAL-SHEAR® M70 SHREDDER

SSI's Dual-Shear® M70 is a low-speed, high-torque, two-shaft, rotary shear shredder designed to efficiently process a variety of difficult materials.

M70 DUAL-SHEAR® SHREDDERS PROCESS MATERIALS INCLUDING:

- Drums
- Mixed Waste
- Wood / Pallets
- Plastics
- Passenger Tires
- Medical Waste
- Light Electronic Scrap
- Fibers / Textiles
- and more...

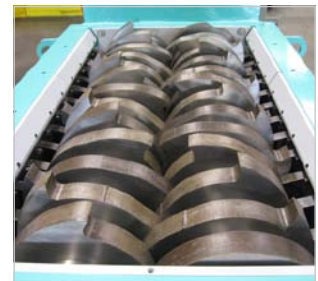
ELECTRIC OR HYDRAULIC DRIVE

Hydraulic Drive When Processing:

- Mixed or unsorted materials
- Batch fed materials
- Materials requiring enhanced particle size or throughput control
- Installations requiring optional reduced voltage starting
- Materials containing non-shreddables

Electric Drive When Processing:

- Sorted, uniform materials
- Conveyor fed or metered materials
- Materials containing limited non-shreddables



SSI ADVANTAGES

HIGH-TORQUE, LOW-SPEED DESIGN

Delivers multipurpose shredding with greater on-line reliability and lower maintenance requirements than other technologies.

PATENTED ACLS - ADVANCED CUTTER LOCKING SYSTEM™

Eliminates daily requirement to tighten cutter stack while improving shredder performance and cutter life.

SHOCK LOAD PROTECTION FEATURE

Protects shredder and drive components. Electric version offers patented SSP - Severe Shock Protection™ controlled torque coupling. Hydraulic version utilizes multiple relief valves.

AUTO REVERSAL FEATURE

Protects against overfeeding and damage by non-shreddables.

CONVERTIBLE DRIVE

Versatile design accommodates electric or hydraulic drive. Optional conversion package available.

PROPRIETARY BEARING PROTECTION

Isolates bearings from cutting chamber contamination and protects against bearing failure.

DIRECT DRIVE MOTOR

Provides improved efficiency and reliability. Alternate speed and torque combinations available.

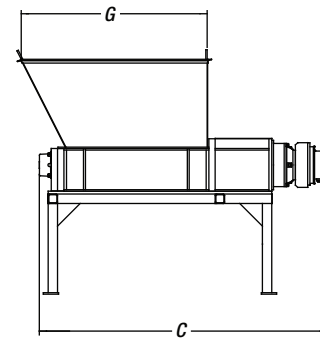
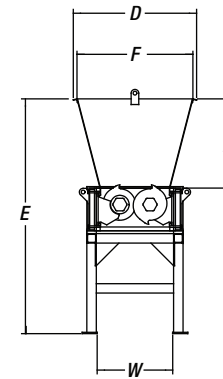
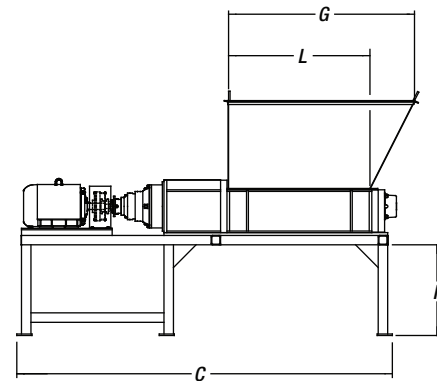


STANDARD CUTTING CHAMBER (W X L)

Optional length

28" X 40" (700mm X 1,015mm)

52" (1,315mm)



SHREDDER MODEL NO.	M70E	M70H
Drive	Electric	Hydraulic
Number of Electric Motors	One	One (HPU)
Horsepower	75 HP (56kW)	75 HP (56kW)
Horsepower Range	60-75 HP (45-56kW)	60-100 HP (45-75kW)
Voltage	460/3/60	460/3/60
Voltage Options	Many - Consult Factory	Many - Consult Factory
Autochop Feature	N/A	Included
Shock Load Protection	Yes (SSP™)	Yes (Multiple Relief)
Cutter Thickness (nominal)	1.5" (38mm)	1.5" (38mm)
Cutter Diameter	14.4" (365mm)	14.4" (365mm)
Cutter Material	4140 HT	4140 HT
Shaft Diameter	5.2" (132mm)	5.2" (132mm)
Cutting Chamber (WxL)*	29" x 40" (725mm x 1,015mm)	29" x 40" (725mm x 1,015mm)
Machine Length (C)*	155" (3,935mm)	129" (3,232mm)
Machine Width (D)	60" (1,520mm)	60" (1,520mm)
Machine Height (E)	113" (2,864mm)	113" (2,864mm)
Machine Weight	11,000 lbs (5,000 kg)	10,000 lbs (4,600 kg)
Hopper Opening (FxG)*	55" x 67" (1,400mm x 1,700mm)	55" x 67" (1,400mm x 1,700mm)
Hopper Height (H)	45" (1,150mm)	45" (1,150mm)
Stand Height (I)	48" (1,225mm)	48" (1,225mm)
HPU Configuration	N/A	Closed Loop
HPU Dimensions	N/A	6.5' x 5.5' x 6' (2m x 1.7m x 1.8m)
HPU Weight	N/A	5,500 lbs (2,400 kg)

SSI offers a full range of energy-efficient electric and hydraulic shredders as well as custom units to meet all processing requirements.

STANDARD CUTTER PROFILES



Electrical controls including motor starters, PLC, and operator interface are supplied in NEMA 4 enclosures.

* Dimensions apply to the M70 with standard 40" (1,015mm) cutting chamber length. Secondary optional lengths available at 52" (1,320mm) and 30" (762mm).

Note: Illustrations, specifications and descriptions presented reflect standard product at time of publication and are subject to change without notice. Dimensions are approximate. Photographs may include optional equipment and accessories. SSI offers compactors, balers, granulators, conveyors and classifiers as well as specialized motors, stands, hoppers, and mobile configurations. Consult factory to discuss your processing needs.