



## DUAL-SHEAR® M85 SHREDDER

SSI's Dual-Shear® M85 is a low-speed, high-torque, two-shaft, rotary shear shredder designed to efficiently process a variety of difficult materials.

### M85 DUAL-SHEAR® SHREDDERS PROCESS MATERIALS INCLUDING:

- Mixed and Bulky Waste
- Passenger & Truck Tires
- Plastics (Purgings & Film)
- Steel Drums
- Paper / Cardboard
- Wood / Pallets
- Organic Waste
- Fibers / Textiles / Foam
- Books and Magazines
- Metals
- Electronic Scrap
- and more...

### ELECTRIC OR HYDRAULIC DRIVE

#### Hydraulic Drive When Processing:

- Mixed, unsorted materials
- Batch fed materials
- Materials requiring enhanced particle size or throughput control
- Installations requiring optional reduced voltage starting
- Materials containing non-shreddables

#### Electric Drive When Processing:

- Sorted, uniform materials
- Conveyor fed or metered materials
- Materials containing limited non-shreddables



## SSI ADVANTAGES

### HIGH-TORQUE, LOW-SPEED DESIGN

Delivers multipurpose shredding with greater on-line reliability and lower maintenance requirements than other technologies.

### PATENTED ACLS - ADVANCED CUTTER LOCKING SYSTEM™

Eliminates daily requirement to tighten cutter stack while improving shredder performance and cutter life.

### SHOCK LOAD PROTECTION FEATURE

Protects shredder and drive components. Electric version offers patented SSP - Severe Shock Protection™ controlled torque coupling. Hydraulic version utilizes multiple relief valves.

### AUTO REVERSAL FEATURE

Protects against overfeeding and damage by non-shreddables.

### CONVERTIBLE DRIVE

Versatile design accommodates electric or hydraulic drive. Optional conversion package available.

### PROPRIETARY BEARING PROTECTION

Isolates bearings from cutting chamber contamination and protects against bearing failure.

### DIRECT DRIVE MOTOR

Provides improved efficiency and reliability. Alternate speed and torque combinations available.

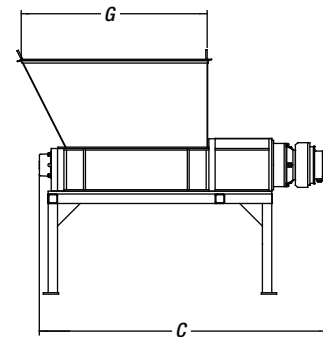
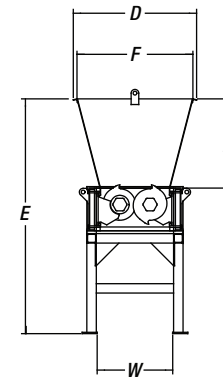
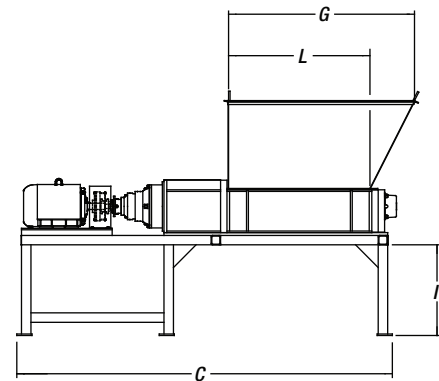


## STANDARD CUTTING CHAMBER (W X L)

Optional length

**35" X 52" (890mm X 1,320mm)**

63" (1,605mm)



| SHREDDER MODEL NO.         | M85E                          | M85H                                |
|----------------------------|-------------------------------|-------------------------------------|
| Drive                      | Electric                      | Hydraulic                           |
| Number of Electric Motors  | One                           | One (HPU)                           |
| Horsepower                 | 100 HP (75kW)                 | 100 HP (75kW)                       |
| Horsepower Range           | 100-150 HP (75-113kW)         | 100-150 HP (75-113kW)               |
| Voltage                    | 460/3/60                      | 460/3/60                            |
| Voltage Options            | Many - Consult Factory        | Many - Consult Factory              |
| Autochop Feature           | N/A                           | Included                            |
| Shock Load Protection      | Yes (SSP™)                    | Yes (Multiple Relief)               |
| Cutter Thickness (nominal) | 2" (50mm)                     | 2" (50mm)                           |
| Cutter Diameter            | 18.1" (460mm)                 | 18.1" (460mm)                       |
| Cutter Material            | 4140 HT                       | 4140 HT                             |
| Shaft Diameter             | 6" (152mm)                    | 6" (152mm)                          |
| Cutting Chamber (WxL)*     | 35" x 52" (890mm x 1,320mm)   | 35" x 52" (890mm x 1,320mm)         |
| Machine Length (C)*        | 164" (4,166mm)                | 132" (3,357mm)                      |
| Machine Width (D)          | 64" (1,622mm)                 | 64" (1,622mm)                       |
| Machine Height (E)         | 117" (2,981mm)                | 117" (2,981mm)                      |
| Machine Weight             | 15,500 lbs (7,031 kg)         | 17,200 lbs (7,740 kg)               |
| Hopper Opening (FxG)*      | 59" x 67" (1,500mm x 1,708mm) | 59" x 78" (1,500mm x 2,000mm)       |
| Hopper Height (H)          | 45" (1,150mm)                 | 45" (1,150mm)                       |
| Stand Height (I)           | 48" (1,225mm)                 | 48" (1,225mm)                       |
| HPU Configuration          | N/A                           | Closed Loop                         |
| HPU Dimensions             | N/A                           | 7" x 73" x 70" (1.7m x 1.9m x 1.8m) |
| HPU Weight                 | N/A                           | 3,725 lbs (1,700 kg)                |

SSI offers a full range of energy-efficient electric and hydraulic shredders as well as custom units to meet all processing requirements.

### STANDARD CUTTER PROFILES



Electrical controls including motor starters, PLC, and operator interface are supplied in NEMA 4 enclosures.

\* Dimensions apply to the M85 with standard 52" (1,334mm) cutting chamber length. Secondary optional lengths available at 63" (1,608mm) and 40" (1,029mm).

Note: Illustrations, specifications and descriptions presented reflect standard product at time of publication and are subject to change without notice. Dimensions are approximate. Photographs may include optional equipment and accessories. SSI offers compactors, balers, granulators, conveyors and classifiers as well as specialized motors, stands, hoppers, and mobile configurations. Consult factory to discuss your processing needs.