



## QUAD® Q100 SHREDDER

SSI's Quad® Q100 is a low-speed, high-torque, four-shaft, rotary shear shredder designed to produce a small, consistent particle size.

### Q100 QUAD® SHREDDERS PROCESS MATERIALS INCLUDING:

- Mixed & Organic Waste
- Carpet
- Passenger & Truck Tires
- Wood/Pallets
- Paper/Cardboard
- Hazardous Waste
- Steel Drums
- Baled & Bulky Materials
- Auto-Fluff
- E-Scrap (Consumer/Light Commercial Grade)
- Metals
- Fibers/Textiles/Foam
- and more...

### ELECTRIC OR HYDRAULIC DRIVE

#### Hydraulic Drive When Processing:

- Mixed or unsorted materials
- Materials requiring enhanced particle size or throughput control
- Batch fed materials
- Materials containing non-shreddables

#### Electric Drive When Processing:

- Sorted, uniform materials
- Conveyor fed or metered materials
- Materials containing limited non-shreddables



## SSI ADVANTAGES

### HIGH-TORQUE, LOW-SPEED DESIGN

Delivers multipurpose shredding with greater on-line reliability and lower maintenance requirements than other technologies.

### PATENTED ACLS - ADVANCED CUTTER LOCKING SYSTEM™

Eliminates daily requirement to tighten cutter stack while improving shredder performance and cutter life.

### SHOCK LOAD PROTECTION FEATURE

Protects shredder and drive components. Electric version offers patented SSP - Severe Shock Protection™ controlled torque coupling. Hydraulic version utilizes multiple relief valves.

### AUTO REVERSAL FEATURE

Protects against overfeeding and damage by non-shreddables.

### CONVERTIBLE DRIVE

Versatile design accommodates electric or hydraulic drive. Optional conversion package available.

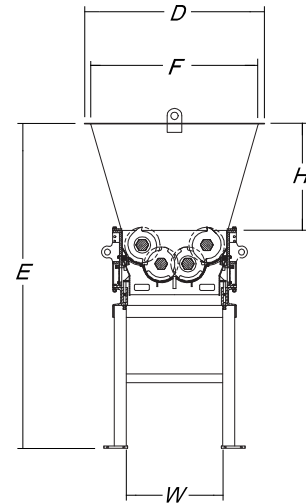
### PROPRIETARY BEARING PROTECTION

Isolates bearings from cutting chamber contamination and protects against bearing failure.

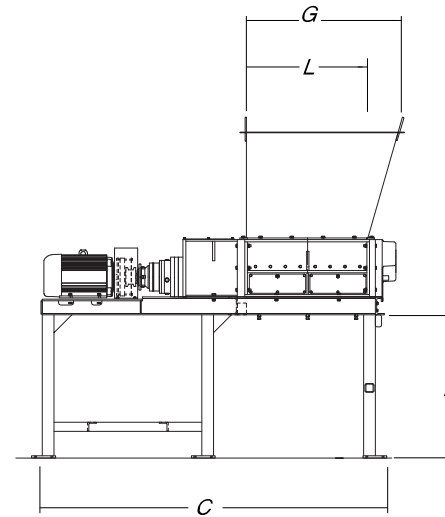
### DIRECT DRIVE MOTOR

Provides improved efficiency and reliability. Alternate speed and torque combinations available.

**STANDARD CUTTING CHAMBER (W X L):**      **62" X 63" (1,565mm X 1,610mm)**  
 Optional lengths available:                      75" (1,898mm)



SHREDDER MODEL NO.	Q100ED (63)	Q100HD (63)
Drive	Electric	Hydraulic
Number of Electric Motors	Two	Two (HPU)
Horsepower	250 HP (188 kW)	400 HP (298 kW)
Horsepower Range	250-400 HP (188-298 kW)	250-400 HP (188-298 kW)
Voltage	460/3/60	460/3/60
Voltage Options	Many - Consult Factory	Many - Consult Factory
Autochop Feature	N/A	Included
Shock Load Protection	Yes (SSP™)	Yes (Multiple Relief)
Cutter Thickness (nominal)	2" (50 mm)	2" (50 mm)
Cutter Diameter	20.9" (530 mm)	20.9" (530 mm)
Cutter Material	4140 HT	4140 HT
Shaft Diameter	7.4" (188 mm)	7.4" (188 mm)
Cutting Chamber (WxL)*	62" x 63" (1,565 mm x 1,610 mm)	62" x 63" (1,565 mm x 1,610 mm)
Machine Length (C)*	199" (5,045 mm)	147" (3,745 mm)
Machine Width (D)	90" (2,285 mm)	90" (2,285 mm)
Machine Height (E)	158" (4,005 mm)	151" (3,842 mm)
Machine Weight	46,000 lbs (20,900 kg)	42,000 lbs (18,900 kg)
Hopper Opening (FxG)*	86" x 87" (2,190 mm x 2,210 mm)	86" x 87" (2,190 mm x 2,210 mm)
Hopper Height (H)	47" (1,200 mm)	47" (1,200 mm)
Stand Height (I)	60" (1,525 mm)	60" (1,525 mm)
HPU Configuration	N/A	Open Loop
HPU Dimensions	N/A	14' x 7.4' x 8.6' (4.3 m x 2.3 m x 2.6 m)
HPU Weight	N/A	12,000 lbs (5,400 kg)



SSI offers a full range of energy-efficient electric and hydraulic shredders as well as custom units to meet all processing requirements.

### STANDARD CUTTER PROFILES



Electrical controls including motor starters, PLC, and operator interface are supplied in NEMA 4 enclosures.

\* Dimensions apply to the Q100 with standard 63" (1,610mm) cutting chamber length. Secondary optional length available at 75" (1,898mm).

Note: Illustrations, specifications and descriptions presented reflect standard product at time of publication and are subject to change without notice. Dimensions are approximate. Photographs may include optional equipment and accessories. SSI offers compactors, balers, granulators, conveyors and classifiers as well as specialized motors, stands, hoppers, and mobile configurations. Consult factory to discuss your processing needs.