



QUAD® Q140 SHREDDER

SSI's Quad® Q140 is a low-speed, high-torque, four-shaft, rotary shear shredder designed to produce a small, consistent particle size.

Q140 QUAD® SHREDDERS PROCESS MATERIALS INCLUDING:

- Mixed & Organic Waste
- Carpet
- Passenger & Truck Tires
- Wood/Pallets
- Paper/Cardboard
- Hazardous Waste
- Steel Drums
- Baled & Bulky Materials
- Auto-Fluff
- Electronic Scrap (Commercial Grade)
- Demolition Waste
- Fibers/Textiles/Foam
- Metals and more...

ELECTRIC OR HYDRAULIC DRIVE

Hydraulic Drive When Processing:

- Mixed or unsorted materials
- Materials requiring enhanced particle size or throughput control
- Batch fed materials
- Materials containing non-shreddables

Electric Drive When Processing:

- Sorted, uniform materials
- Conveyor fed or metered materials
- Materials containing limited non-shreddables



SSI ADVANTAGES

HIGH-TORQUE, LOW-SPEED DESIGN

Delivers multipurpose shredding with greater on-line reliability and lower maintenance requirements than other technologies.

PATENTED ACLS - ADVANCED CUTTER LOCKING SYSTEM™

Eliminates daily requirement to tighten cutter stack while improving shredder performance and cutter life.

SHOCK LOAD PROTECTION FEATURE

Protects shredder and drive components. Electric version offers patented SSP - Severe Shock Protection™ controlled torque coupling. Hydraulic version utilizes multiple relief valves.

AUTO REVERSAL FEATURE

Protects against overfeeding and damage by non-shreddables.

CONVERTIBLE DRIVE

Versatile design accommodates electric or hydraulic drive. Optional conversion package available.

PROPRIETARY BEARING PROTECTION

Isolates bearings from cutting chamber contamination and protects against bearing failure.

DIRECT DRIVE MOTOR

Provides improved efficiency and reliability. Alternate speed and torque combinations available.

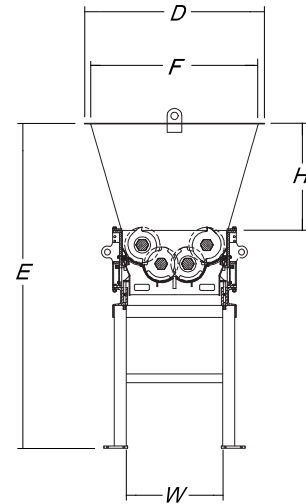


STANDARD CUTTING CHAMBER (W X L):

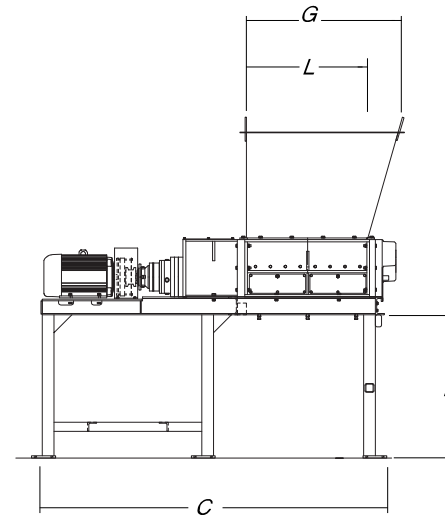
82" X 75" (2,075mm X 1,905mm)

Optional lengths available:

98" (2,489mm)



SHREDDER MODEL NO.	MODEL Q140ED(75)	MODEL Q140HD(75)
Drive	Electric	Hydraulic
Number of Electric Motors	Two	Two (HPU)
Horsepower	400 HP (300 kW)	500 HP (373 kW)
Horsepower Range	400-600 HP (300-450 kW)	400-600 HP (300-450 kW)
Voltage	460/3/60	460/3/60
Voltage Options	Many - Consult Factory	Many - Consult Factory
Autochop Feature	N/A	Included
Shock Load Protection	Yes (SSP™)	Yes (Multiple Relief)
Cutter Thickness (nominal)	2" (50 mm)	2" (50 mm)
Cutter Diameter	27.1" (690 mm)	27.1" (690 mm)
Cutter Material	4140 HT	4140 HT
Shaft Diameter	9.0" (229 mm)	9.0" (229 mm)
Cutting Chamber (WxL)*	82" x 75" (2,075 mm x 1,905 mm)	82" x 75" (2,075 mm x 1,905 mm)
Machine Length (C)*	210" (5,335 mm)	185" (4,694 mm)
Machine Width (D)	90" (2,285 mm)	119" (3,023 mm)
Machine Height (E)	161" (4,090 mm)	173" (4,399 mm)
Machine Weight	87,000 lbs (39,700 kg)	72,000 lbs (32,400 kg)
Hopper Opening (FxG)*	113" x 108" (2,875 mm x 2,745 mm)	113" x 108" (2,875 mm x 2,745 mm)
Hopper Height (H)	59" (1,500 mm)	59" (1,500 mm)
Stand Height (I)	60" (1,525 mm)	60" (1,525 mm)
HPU Configuration	N/A	Closed Loop
HPU Dimensions	N/A	8.5' x 7.3' x 7.2' (2.6 m x 2.2 m x 2.2 m)
HPU Weight	N/A	9,500 lbs (4,280 kg)



SSI offers a full range of energy-efficient electric and hydraulic shredders as well as custom units to meet all processing requirements.

STANDARD CUTTER PROFILES



Electrical controls including motor starters, PLC, and operator interface are supplied in NEMA 4 enclosures.

* Dimensions apply to the Q140 with standard 75" (1,905mm) cutting chamber length. Secondary optional length available at 98" (2,489mm).

Note: Illustrations, specifications and descriptions presented reflect standard product at time of publication and are subject to change without notice. Dimensions are approximate. Photographs may include optional equipment and accessories. SSI offers compactors, balers, granulators, conveyors and classifiers as well as specialized motors, stands, hoppers, and mobile configurations. Consult factory to discuss your processing needs.