



QUAD® Q70 SHREDDER

SSI's Quad® Q70 is a low-speed, high-torque, four-shaft, rotary shear shredder designed to produce a small, consistent particle size.

Q70 QUAD® SHREDDERS

PROCESS MATERIALS INCLUDING:

- Mixed Waste
- Plastics
- Passenger Tires
- Wood/Pallets
- Paper/Cardboard
- Medical Waste
- Auto Shredder Residue
- Organic Waste
- Product Destruction
- Electronic Scrap, Circuit Boards, Hard Drives
- Light Gauge Metals
- Fibers/Textiles/Foam
- and more...

ELECTRIC OR HYDRAULIC DRIVE

Hydraulic Drive When Processing:

- Mixed or unsorted materials
- Materials requiring enhanced particle size or throughput control
- Batch fed materials
- Materials containing non-shreddables

Electric Drive When Processing:

- Sorted, uniform materials
- Conveyor fed or metered materials
- Materials containing limited non-shreddables



SSI ADVANTAGES

HIGH-TORQUE, LOW-SPEED DESIGN

Delivers multipurpose shredding with greater on-line reliability and lower maintenance requirements than other technologies.

PATENTED ACLS - ADVANCED CUTTER LOCKING SYSTEM™

Eliminates daily requirement to tighten cutter stack while improving shredder performance and cutter life.

SHOCK LOAD PROTECTION FEATURE

Protects shredder and drive components. Electric version offers patented SSP - Severe Shock Protection™ controlled torque coupling. Hydraulic version utilizes multiple relief valves.

AUTO REVERSAL FEATURE

Protects against overfeeding and damage by non-shreddables.

CONVERTIBLE DRIVE

Versatile design accommodates electric or hydraulic drive. Optional conversion package available.

PROPRIETARY BEARING PROTECTION

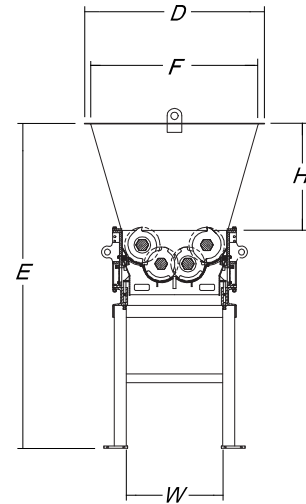
Isolates bearings from cutting chamber contamination and protects against bearing failure.

DIRECT DRIVE MOTOR

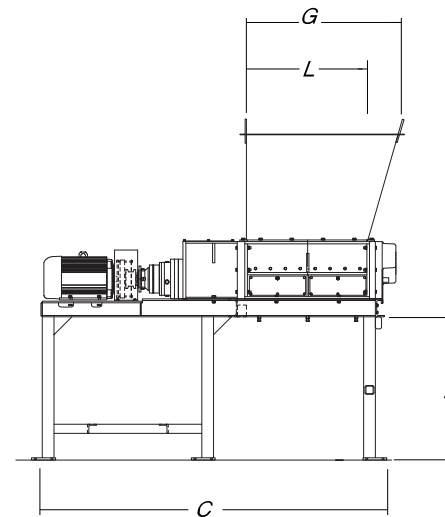
Provides improved efficiency and reliability. Alternate speed and torque combinations available.



STANDARD CUTTING CHAMBER (W X L): 44" X 52" (1,125mm X 1,317mm)
 Optional lengths available: 40" (1,025mm)



SHREDDER MODEL NO.	Q70ED (52)	Q70HD (52)
Drive	Electric	Hydraulic
Number of Electric Motors	Two	Two (HPU)
Horsepower	80 HP (60 kW)	100 HP (75 kW)
Horsepower Range	80-100 HP (60-75 kW)	80-100 HP (60-75 kW)
Voltage	460/3/60	460/3/60
Voltage Options	Many - Consult Factory	Many - Consult Factory
Autochop Feature	N/A	Included
Shock Load Protection	Yes (SSP™)	Yes (Multiple Relief)
Cutter Thickness (nominal)	1.5" (38 mm)	1.5" (38 mm)
Cutter Diameter	14.4" (365 mm)	14.4" (365 mm)
Cutter Material	4140 HT	4140 HT
Shaft Diameter	5.2" (132 mm)	5.2" (132 mm)
Cutting Chamber (WxL)*	44" x 52" (1,125 mm x 1,317 mm)	44" x 52" (1,125 mm x 1,317 mm)
Machine Length (C)*	155" (3,945 mm)	110" (2,781 mm)
Machine Width (D)	78" (1,980 mm)	77" (1,949 mm)
Machine Height (E)	121" (3,080 mm)	130" (3,302 mm)
Machine Weight	21,000 lbs. (9,500 kg)	19,000 lbs. (8,600 kg)
Hopper Opening (FxG)*	72" x 67" (1,825 mm x 1,700 mm)	72" x 67" (1,825 mm x 1,700 mm)
Hopper Height (H)	45" (1,150 mm)	45" (1,150 mm)
Stand Height (I)	45" (1,150 mm)	45" (1,150 mm)
HPU Configuration	N/A	Open Loop
HPU Dimensions	N/A	7.4' x 7.2' x 7.4' (2.2m x 2.3m x 2.3m)
HPU Weight	N/A	7,200 lbs (3,267 kg)



SSI offers a full range of energy-efficient electric and hydraulic shredders as well as custom units to meet all processing requirements.

STANDARD CUTTER PROFILES



Electrical controls including motor starters, PLC, and operator interface are supplied in NEMA 4 enclosures.

Dimensions apply to the Q70 with standard 52" (1,317mm) cutting chamber length. Secondary optional length available at 40" (1,025mm).

Note: Illustrations, specifications and descriptions presented reflect standard product at time of publication and are subject to change without notice. Dimensions are approximate. Photographs may include optional equipment and accessories. SSI offers compactors, balers, granulators, conveyors and classifiers as well as specialized motors, stands, hoppers, and mobile configurations. Consult factory to discuss your processing needs.