



## UNI-SHEAR® SR300 SHREDDER

The SR300 single rotor shredder/grinder reduces bulky material in a single pass while producing predictable, small, consistent particles.

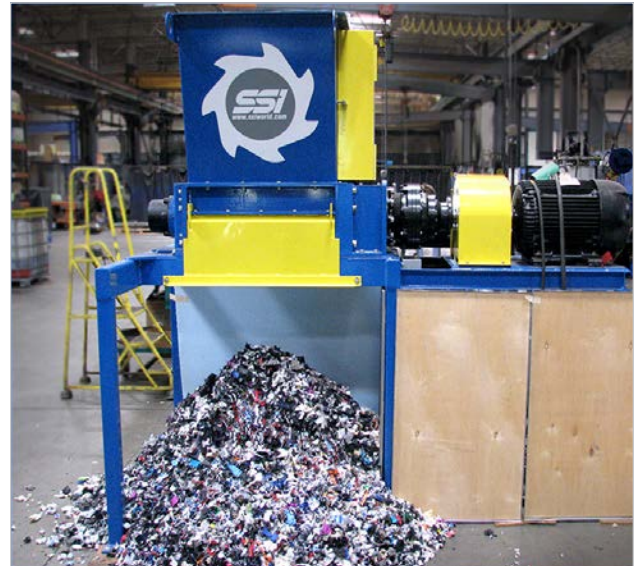
The technology of the Uni-Shear® SR300 offers a viable alternative to other traditional size reduction solutions. The SR300 uses an adjustable speed, pressure-sensing ram and individually replaceable, reversible cutters to effectively grind material to small consistent particles in a single pass.

### THE SR300 ADVANTAGE

- Delivers consistent, uniform particle size in a single pass
- Processes a variety of materials including plastics, fiber, paper, foam, wood waste and textiles
- Allows operators to 'dump and run' batches of material
- Reinforced in critical areas
- Accepts up to 1 cubic yard of infeed material
- Accepts bulk or meter (conveyor) fed loading
- Meters shredded material to downstream equipment
- Is configured specifically for your application

### TYPICAL SHREDDING APPLICATIONS

- Paper/Cardboard
- Plastics (hard and soft)
- Foam
- Product destruction
- Mattress scrap
- Wood waste
- Pharmaceuticals
- Rubber
- Organic waste
- Light gauge metals
- Fibers/Textiles
- and more...



### SR300 DESIGN FEATURES

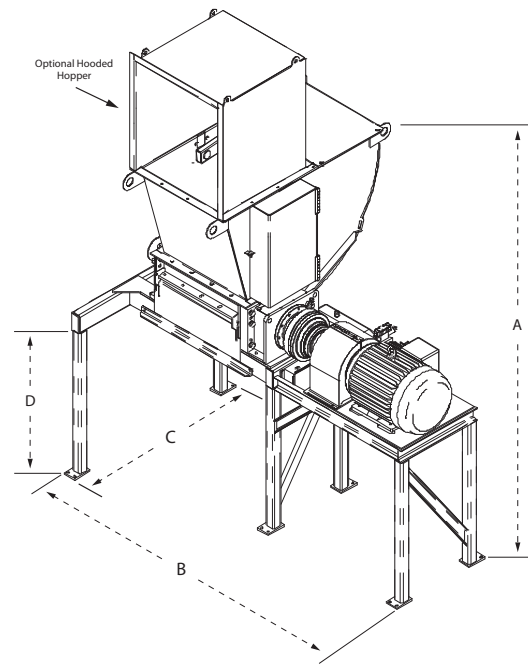
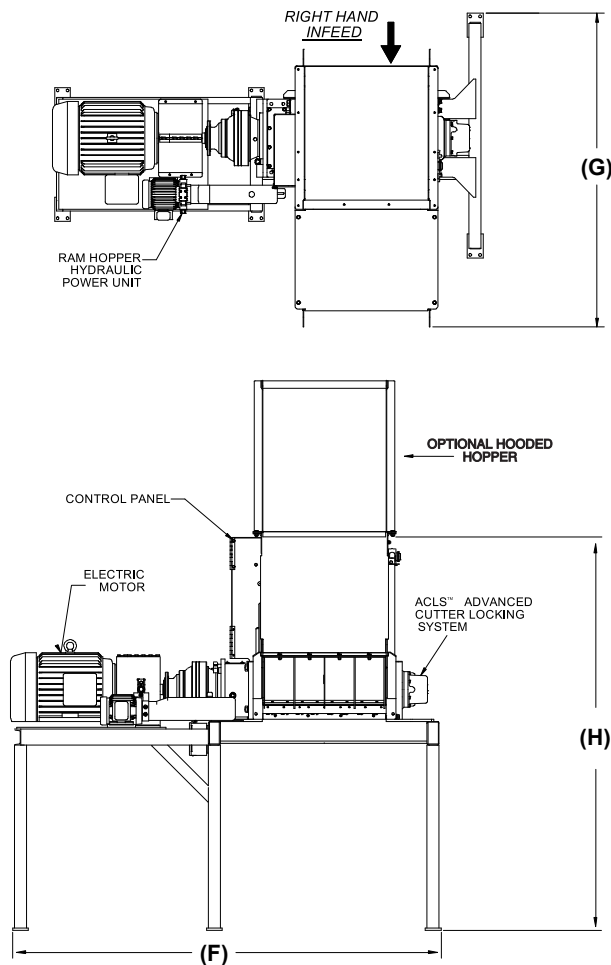
- Interchangeable screens screens from 1/2" to 6" allow easy cleaning and particle size adaptation
- Replaceable and reversible cutters extend uptime
- Exclusive electric direct drive design (no belts)
- 'Smart' ram to fit different applications and materials
- Operator-friendly, full function control panel
- Ram and rotor loading interface allows efficient and automatic shredder operation
- Robust construction and easy maintainance design
- 1 cubic yard hopper for large volume, bulk feeding



← Preshred

← Large Screen

← Fine Screen



DIMENSIONS: UNI-SHEAR® SR300E			
A (height)	B (length)	C (width)	D (discharge height)
101" 2,565 mm	108" 2,750 mm	79" 2,005 mm	47" 1,194 mm

**SPECIFICATIONS: UNI-SHEAR® SR300E**

HP Range	50HP (38kW)
Voltage	460/3/60 standard; other options available
Number of Cutters	36
Rotor Speed (rpm)	125
Screen sizes	1/2" - 6" (12-150 mm)
Cutter Tip diameter	12" (304 mm)
Active rotor length	31" (790mm)
Cutting chamber (WxL)	33" x 31" (840mm x 785mm)
Hopper Capacity	1 cu yd (0.76 cubic meters)
Machine length (F)	108" (2,750 mm)
Machine width (G)	79" (2,005 mm)
Machine height (H)	101" (2,565 mm)
Machine weight (less HPU)	4,000 lbs. (1,800 kg)
Hydraulic ram	2HP (1kW)



Standard Cutter Holder



Optional Cutter Holder Cap

Consult factory for other models and to discuss your processing requirements.

Note: Illustrations, specifications and descriptions presented reflect standard product at time of publication and are subject to change without notice. Dimensions are approximate. Photographs may include optional equipment and accessories. SSI offers compactors, balers, granulators, conveyors and classifiers as well as specialized motors, stands, hoppers, and mobile configurations. Consult factory to discuss your processing needs.